



# RAILKO NF21

## Hook Guide Plates

RAILKO Hook Guide Plates are used to support the draw hook on the wagon body.



---

**Product Description**

RAILKO NF21 Hook Guide Plates are the material of choice over standard steel and lower quality plastics. The reinforced matrix structure of RAILKO NF21 withstands even the most abrasive of environments. RAILKO NF21 Hook Guide Plates are corrosion-free and self-lubricating, meaning they provide complete protection to the expensive draw hook. It is important to have a material which provides excellent dimensional stability and long service life, Railko is the customer's choice.

---

**Product Advantages**

- High wear resistance to abrasive environments
  - Superior protection to the expensive draw hook
  - Noise reduction
  - Self lubricating, no oil or grease required
  - Excellent dimensional stability
- 

**Approved Applications**

Industry standard Railko NF21 Hook Guide Plates

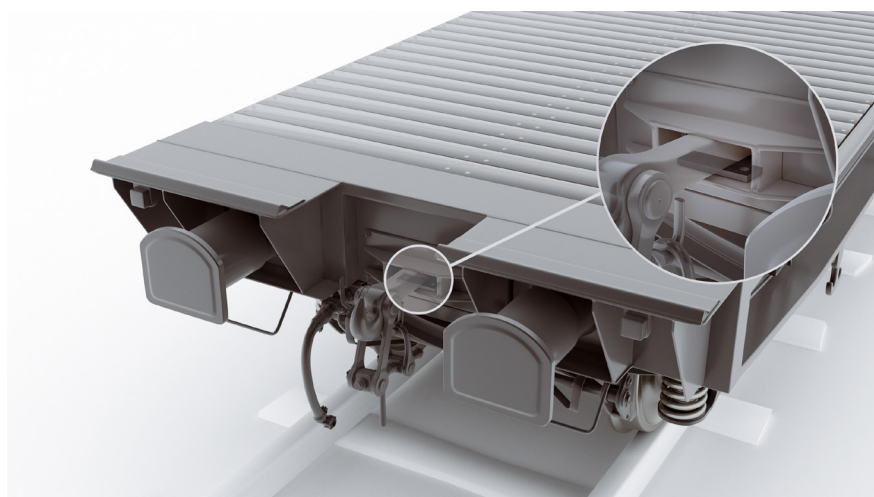
---

**Storage**

- To be stored in a dry location
- Take care not to exceed safe working loads and heights for storage shelves and racks

## Physical Properties

Property	Units	NF
Density	g/cm <sup>3</sup>	1.64
Flexural Strength	MPa	44
Flexural Modulus	GPa	5.7
Compressive Strength	MPa	190
Tensile Strength	MPa	27
Charpy Impact Notched	kJ/m <sup>2</sup>	30
Shear Strength	MPa	40
Compressive Yield @ 68.9 Mpa	%	2.0
Shore D Hardness		90
Swell in Water (24 hours)	%	
20 °C		0.2
80 °C		0.5
Coefficient of Thermal Expansion	x 10 <sup>-6</sup> /°C	
Parallel		43
Perpendicular		43
Coefficient of Friction (Unlubricated)		0.34-0.42
Maximum Operating Temperature	°C	
Continuous		120
Intermittent		140
Normal Working Pressure	MPa	55



# RAILKO NF21

---

Tenmat Ltd  
Ashburton Rd West, Manchester  
M17 1TD United Kingdom

+44 161 872 2181  
info@tenmat.com

tenmat.com



**Advanced materials.**  
tenmat.com

Tenmat warrants the materials it produces will conform to Tenmat specifications and approved drawings where applicable. It is entirely the customer's responsibility to make the final product choice and satisfy themselves of the suitability of the product for the intended application, carrying out testing where required. For construction projects, all products which the customer is intending to use on a particular project must be approved in writing by the customer's building designer, system designer or design control professional, to ensure compliance with the latest regulations.

The information contained in Tenmat data sheets is presented in good faith. The values are "typical only" and are based on test results generally in accordance with BS2782, ASTM, a variety of other main test bodies along with Tenmat internal test methods. These values should not be relied upon for specification purposes or the primary selection of materials. As the data sheet values are typical only, Tenmat does not warrant the conformity of its materials to these properties or the suitability of its materials for any particular purpose. It is the responsibility of the customer to do the necessary testing and satisfy themselves the product is suitable for the intended application.